



VAN CRANES

# Transit VC1000



MAX. CAPACITY  
1,000 LBS

CRANE RATING  
6,000 FT-LBS

MAX. REACH  
6 FT

APPLICATIONS  
FORD TRANSIT

CONTROLS  
ELECTRIC

## FEATURES

### ■ COMPACT STORAGE

The VC1000 allows van owners the cargo space while including a lifting application in their work van. The crane utilizes very little space allowing owners to include shelving units and other van accessories.

### ■ ROTATION LOAD CONTROLS

To safely operate and swing loads in/out of the van, the VC1000 includes (2) rotation control levers that keep the load from swinging out of control, damaging the van and/or causing injury.

## AN INDUSTRY FIRST...

The VC1000 utilizes a unique dual floor and ceiling mounted telescopic mast that integrates with the van structure itself to ensure maximum structural integrity. The telescopic mast will allow it to fit within the Transit Mid & High Roof 148" WB models. The crane also features two unique rotation control features for the primary and secondary booms which utilize two hand levers that operate multi-positional locks. This key feature adds an additional safeguard for the operators as the load is being loaded and unloaded. The Venturo VC1000 allows safe and productive material handling without the need for a forklift or a heavy, expensive liftgate.

## SPECIFICATIONS

<b>Lifting Capacities:</b>	1,000 lbs
<b>Crane Rating:</b>	6,000 ft-lbs
<b>Mounting Space:</b>	10" x 10" Floor-mount
<b>Stowed Height:</b>	Telescopic (Mid/High Roof)
<b>Rope Diameter:</b>	3/16" @ 25'
<b>Line pull speed:</b>	14 ft/min
<b>Max. Single-line:</b>	1,000 lbs
<b>Boom Extension:</b>	Up to 6'
<b>Rotation:</b>	Manual/Multiple Rotation Stops
<b>Power Supply:</b>	Electric 12V DC
<b>Requirements:</b>	12v DC Battery
<b>Circuit Breaker:</b>	150 AMP Recommended
<b>Boom Articulation:</b>	Folds back into main boom
<b>Controls:</b>	12V DC On/Off Winch

## OPTIONS & ACCESSORIES

### Suspension Support

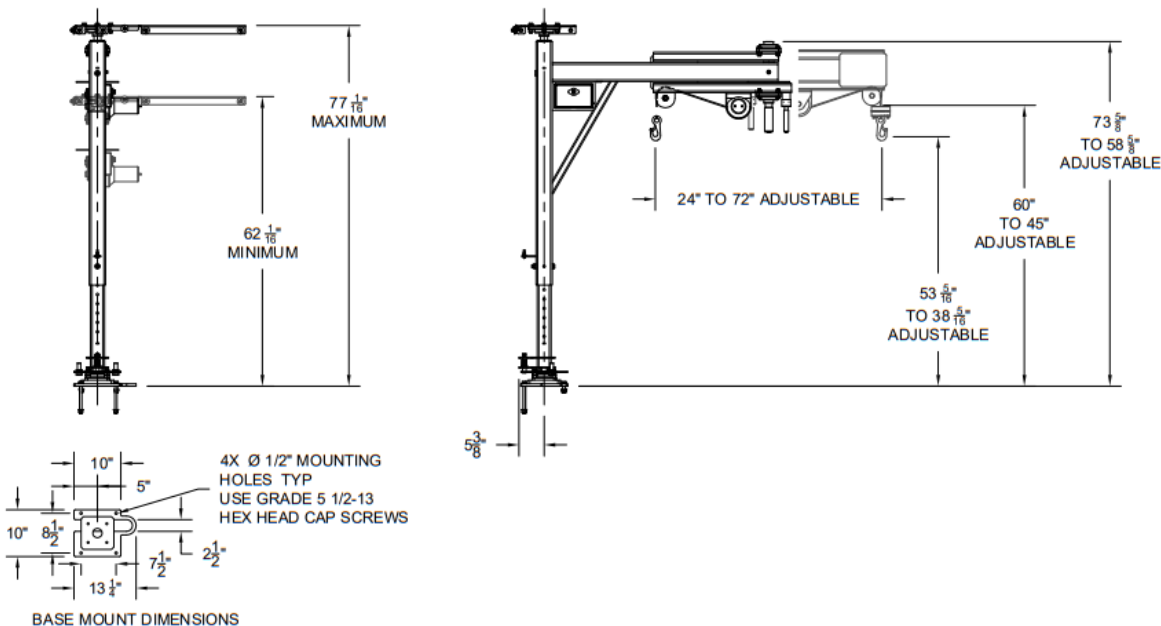
The VC1000 includes a jackleg for the rear of the van to support the suspension if loads exceed 750 lbs. Class 3 receiver hitch must be purchased separately.

### Master Disconnect Switch

Crane includes a master disconnect switch kit which allows the user to disconnect the power to the crane during transit and when not in use.



## FORD TRANSIT VC1000 DIMENSIONS



**Venco Venturo Industries LLC**  
 12110 Best Place | Cincinnati, Ohio 45241  
 800-226-2238 | 513-772-8448 Local  
[info@venturo.com](mailto:info@venturo.com) | [www.venturo.com](http://www.venturo.com)

NOTE: All Venturo service cranes meet ANSI B30.5 and OSHA 1910.180 specifications. Specifications subject to change without notice. Copyright © 2019 Venco Venturo Industries LLC. All Rights Reserved.